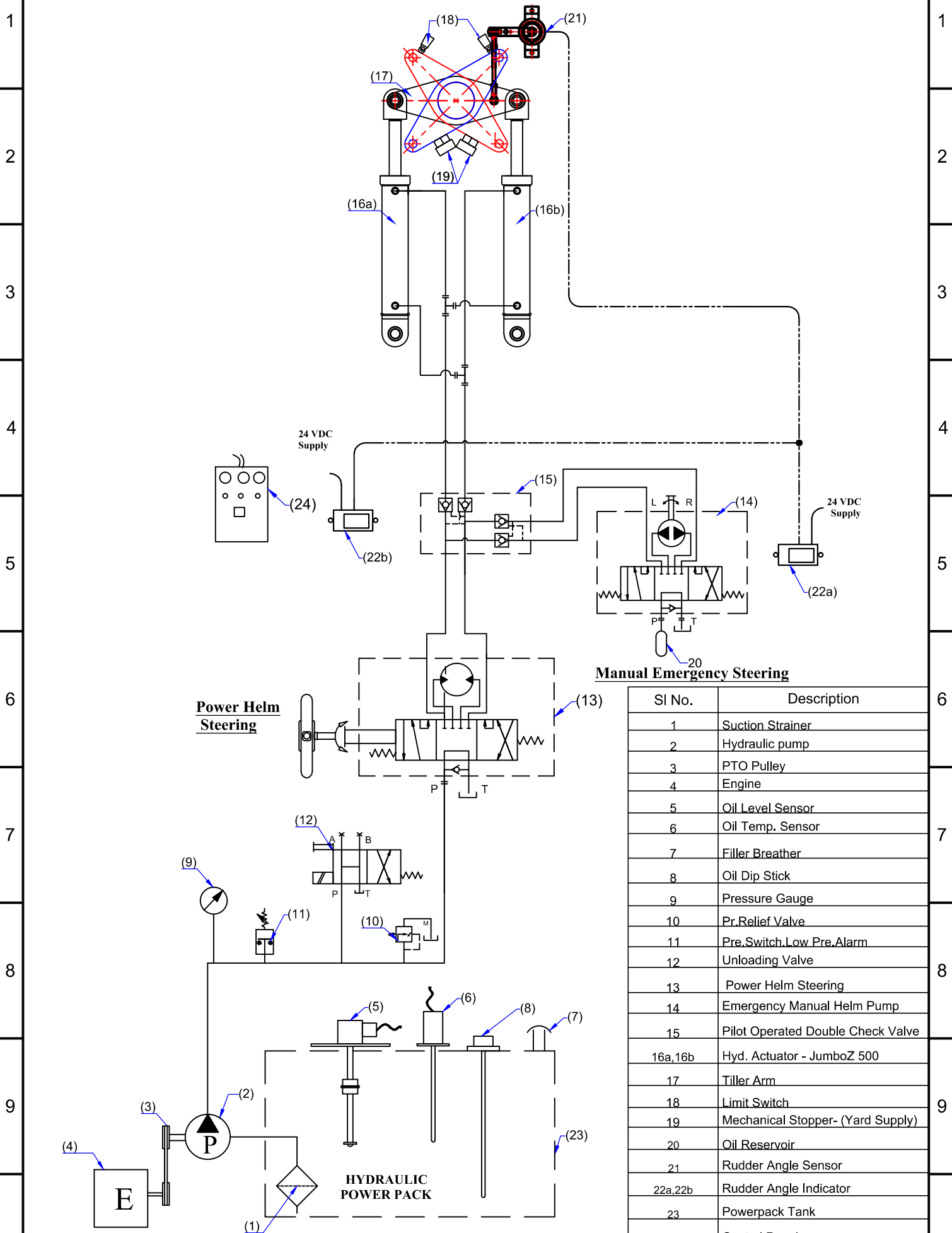


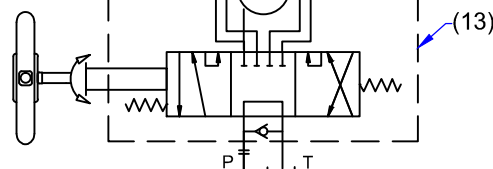
Electro-Hyd. Circuit - JumboZ-500E PTO with Power Helm



Manual Emergency Steering

| SI No. | Description |
|----------|-----------------------------------|
| 1 | Suction Strainer |
| 2 | Hydraulic pump |
| 3 | PTO Pulley |
| 4 | Engine |
| 5 | Oil Level Sensor |
| 6 | Oil Temp. Sensor |
| 7 | Filler Breather |
| 8 | Oil Dip Stick |
| 9 | Pressure Gauge |
| 10 | Pr. Relief Valve |
| 11 | Pre. Switch. Low Pre. Alarm |
| 12 | Unloading Valve |
| 13 | Power Helm Steering |
| 14 | Emergency Manual Helm Pump |
| 15 | Pilot Operated Double Check Valve |
| 16a, 16b | Hyd. Actuator - JumboZ 500 |
| 17 | Tiller Arm |
| 18 | Limit Switch |
| 19 | Mechanical Stopper- (Yard Supply) |
| 20 | Oil Reservoir |
| 21 | Rudder Angle Sensor |
| 22a, 22b | Rudder Angle Indicator |
| 23 | Powerpack Tank |
| 24 | Control Panel |

Power Helm Steering



HYDRAULIC POWER PACK

**MAC ♦ N ♦ HOM SYSTEMS
KOCHI - 20**

DESIGNATION

Electro-Hydro. Circuit of JumboZ-500E
PTO with Power Helm

DWG. No.

MHS-1153

DATE

05.05.2021

